

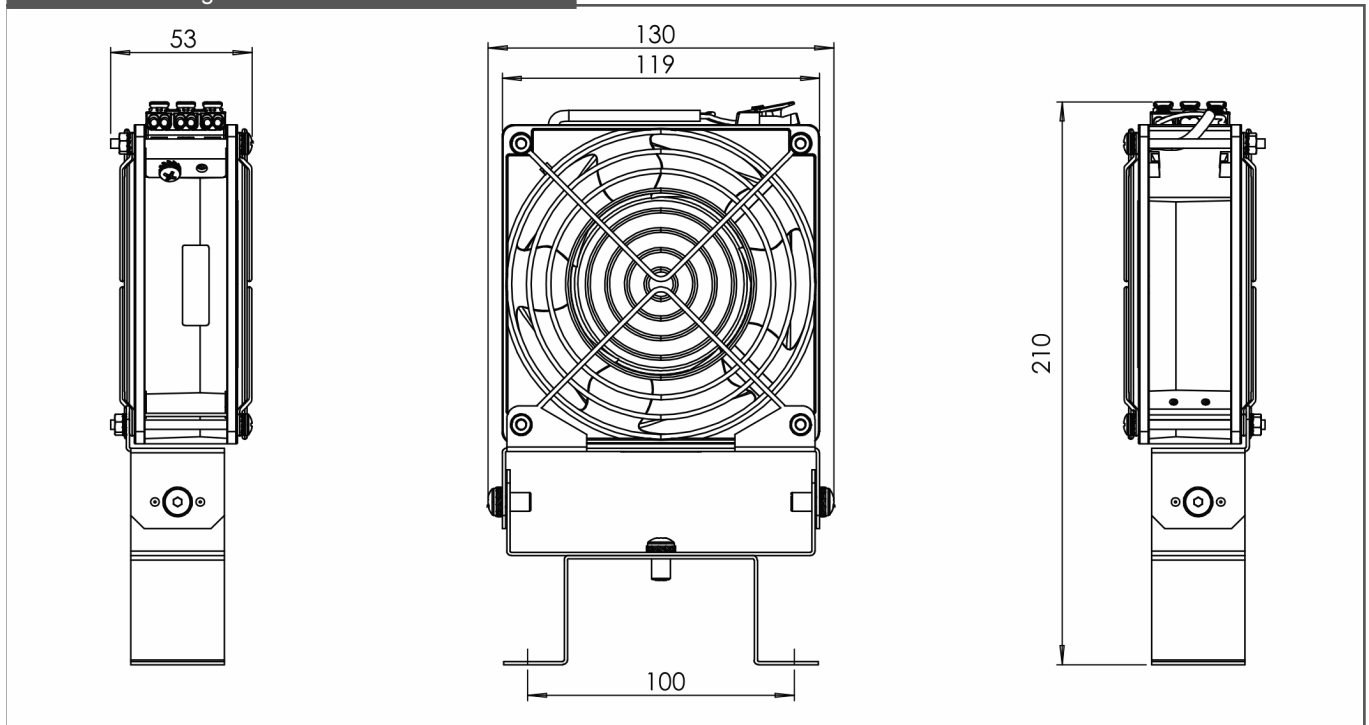
**"OF" SERIES ORIENTABLE FAN**

Description: **Axial fan a.c.**



**Casing material:** die-casting aluminum black painted fan, galvanized steel bracket  
**Impeller material:** glass filled polyester UL 94V-0  
**Protection degree:** IP20, according to EN 60529 standard  
**Fixing system:** by No 2 screws (steel bracket fixing holes Ø 6mm, 100mm hole centers)  
**Motor protection:** impedance  
**Storage temperature:** from -40°C to +70°C  
**Rated temperature range:** from -10°C to +70°C  
**Electrical connection:** by 3 poles terminal L-N-PE cage clamp:  
 1.5 ÷ 2.5mm<sup>2</sup> (15 ÷ 13 AWG) solid wire  
 0.5 ÷ 2.5mm<sup>2</sup> (20 ÷ 13 AWG) rigid wire  
 0.75 ÷ 2.5mm<sup>2</sup> (18 ÷ 13 AWG) tin plated wire  
**Lifetime L10 at 25°C:** 50,000h  
**Weight:** 1kg  
**Approvals:** CE

**Technical drawing**



Model	Bearing	Voltage	Frequency	Rated Current	Rated Power	Max Air Flow**	Static Pressure	Noise	RPM	Approvals
		(V)	(Hz)	(A)	(W)	(m3/h)	(Pa)	[db(A)]	(rpm)	
OF-A12B23SWBAQ130	Ball	230 V a.c.	50/60	0.170/0.130	21/21	163/182	60/62	46.4/48.1	2,400/2,600	CE

data with uncertainty of 15%

All specifications, data and drawing are subject to change without notice and are approximate. Please refer to our terms of sales including our warranty and limited liabilities clauses.