

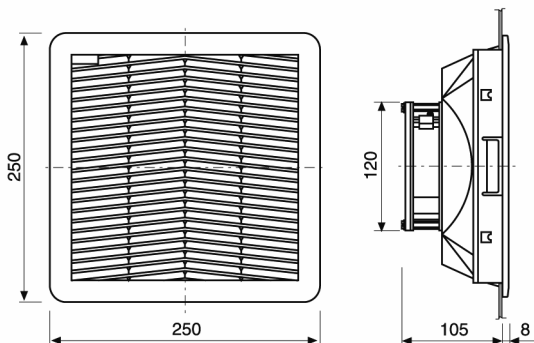
## "FPF15KP" SERIES FAN FILTERS

Description: Fan Filter 115/230 Va.c.

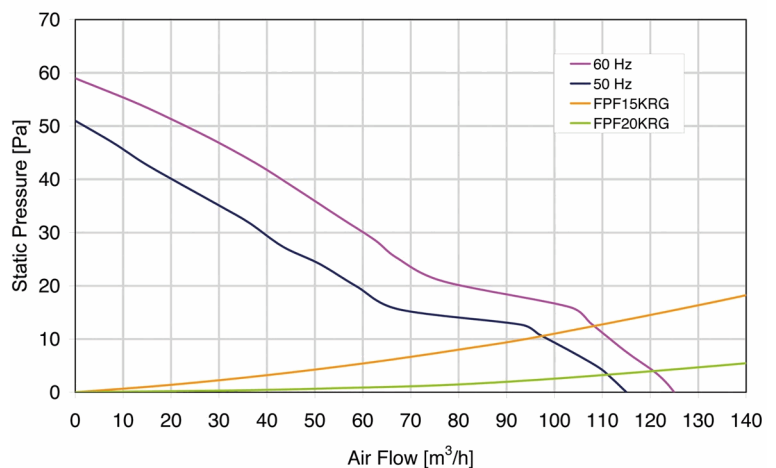
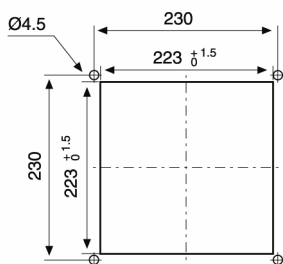


<b>Type of material:</b>	ABS/PC alloy
<b>Standard color:</b>	RAL 7032, RAL 7035 and RAL 9005 - other colors on request
<b>Protection degree:</b>	IP54, according to EN 60529 Std Type 12, according to UL 508 Std
<b>Fixing system:</b>	by elastic hooks, otherwise by four 4.8 mm self-threading screws
<b>Plate thickness:</b>	from 1.5 mm to 2.2 mm
<b>Storage temperature:</b>	from -40°C to +70°C
<b>Motor Lifetime L10 at 40°C:</b>	45,000 h
<b>Motor protection:</b>	impedance
<b>Electrical connection:</b>	by terminal block 3 poles L-N-PE, 2.5 mm <sup>2</sup> (12 AWG)
<b>Earth connection:</b>	by PE pole
<b>Appliance class:</b>	Class I
<b>Type of filter media:</b>	thermo-linked progressive structure synthetic fibre
<b>Filtering class:</b>	class G3, according to EN 779
<b>Degree of separation:</b>	85% - DIN 24185
<b>Dust retention capacity:</b>	600 g/m <sup>2</sup>
<b>Note:</b>	filter media is washable for about 10 times
<b>Weight:</b>	1.4 Kg
<b>Approvals:</b>	CE, UL E237844

### technical drawing



### mounting cut-out



Model	Voltage (V)	Frequency (Hz)	Rated Current (A)	Rated Power (W)	Max Air Flow (m <sup>3</sup> /h)	Static Pressure (Pa)	Fan Noise [db(A)]	Rated Temp. Range (°C)	Approvals
FPF15KP*115BER-110	115 V a.c.	50/60	0.210/0.180	20/18	115/125	51/59	46.0/50.0	-10 + +50	CE; cURus
FPF15KPR115BE-110	115 V a.c.	50/60	0.210/0.180	20/18	115/125	51/59	46.0/50.0	-10 + +50	CE; cURus
FPF15KP*230BE-110	230 V a.c.	50/60	0.125/0.110	20/19	115/125	51/59	46.0/50.0	-10 + +50	CE; cURus
FPF15KP*230BER-110	230 V a.c.	50/60	0.125/0.110	20/19	115/125	51/59	46.0/50.0	-10 + +50	CE; cURus

\* U = RAL 7035 R = RAL 7032 N = RAL 9005 \*\* data with uncertainty of 15%

All specifications, data and drawing are subject to change without notice. Please refer to our terms of sales including our warranty and limited liabilities clauses.