

TRT2-10A230V-NONOF

mechanical °F

> CONTACT US



Fandis twin thermostats are designed to provide air temperature control and monitoring in enclosure for trouble free operations with electrical components. Twin thermostats integrate two independently switchable devices within one compact unit, allowing the simultaneous control of heating and cooling equipment.

Technical data		
APPROVALS		
Approvals	CE; cURus; UKCA	
ELECTRICAL DATA		
Rated Voltage	60	V d.c.
Rated Voltage	110-250	V a.c.
Rated Current	10	A
Operating Voltage	12-60	V d.c.
Appliance Class	II	
Max Contact Current	15/15	A
GENERIC DATA		
Contact Type	NO / Close on rise	
Sensor Type	Bi-Metal	
Casing Material	PC/ABS	
RAL Number	7035	
Setting Range	14÷176	°F
Setting Resolution	9	°F
Accuracy	± 3	K
Rated Hysteresis	7	K
Life Expectancy	100000	Cycles
Electrical Connection	Terminal Block	
Wires Section	0.75-2.5	mm ²
Wires Section	18-14	AWG

Image is for illustrative purpose only. All specifications, data and drawing are subject to change without notice. Please refer to our terms of sales including our warranty and limited liabilities clauses.

TRT2-10A230V-NONOF

mechanical °F

> CONTACT US

Technical data		
Fixing System	DIN rail	
ENVIRONMENTAL AND THERMAL DATA		
IP Protection Degree	IP20	
Operating Temperature	-10÷80	°C
	14÷176	°F
Storage Temperature	-40÷90	°C
	-40÷194	°F
Max Humidity	95	% RH
UL DATA		
UL File Number Recognized Component	E247491	
UL Environmental Type Rating	Open Type	
UL Ambient Temperature	50	°C
	122	°F

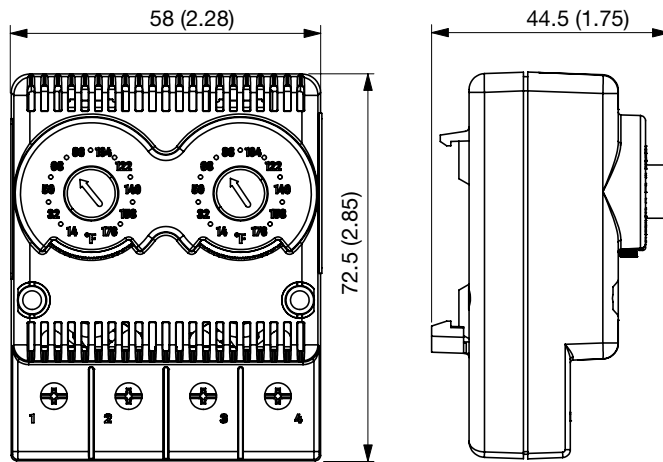
Image is for illustrative purpose only. All specifications, data and drawing are subject to change without notice. Please refer to our terms of sales including our warranty and limited liabilities clauses.

TRT2-10A230V-NONOF

mechanical °F

> CONTACT US

Technical drawing mm (in)



Wiring Diagram

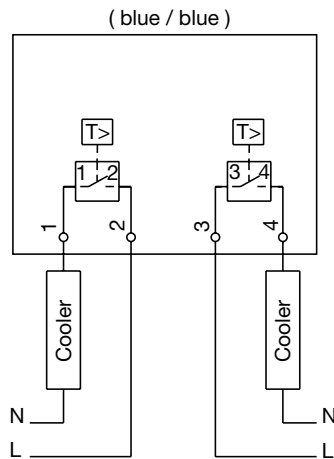


Image is for illustrative purpose only. All specifications, data and drawing are subject to change without notice. Please refer to our terms of sales including our warranty and limited liabilities clauses.