



Fandis twin thermostats are designed to provide air temperature control and monitoring in enclosure for trouble free operations with electrical components. Twin thermostats integrate two independently switchable devices within one compact unit, allowing the simultaneous control of heating and cooling equipment.

| Technical data | | |
|------------------------|-----------------|-----------------|
| APPROVALS | | |
| Approvals | CE; cURus; UKCA | |
| ELECTRICAL DATA | | |
| Rated Voltage | 60 | V d.c. |
| Rated Voltage | 110-250 | V a.c. |
| Rated Current | 10 | A |
| Operating Voltage | 12-60 | V d.c. |
| Appliance Class | II | |
| Max Contact Current | 15/15 | A |
| GENERIC DATA | | |
| Accuracy | ± 3 | K |
| Casing Material | PC/ABS | |
| RAL Number | 7035 | |
| Sensor Type | Bi-Metal | |
| Setting Range | -10÷80 | °C |
| | 14÷176 | °F |
| Setting Resolution | 5 | °C |
| | 41 | °F |
| Electrical Connection | Terminal Block | |
| Life Expectancy | 100000 | Cycles |
| Rated Hysteresis | 7 | K |
| Wires Section | 0.75-2.5 | mm ² |

Image is for illustrative purpose only. All specifications, data and drawing are subject to change without notice. Please refer to our terms of sales including our warranty and limited liabilities clauses.

TRT2-10A230V-NCNC

mechanical

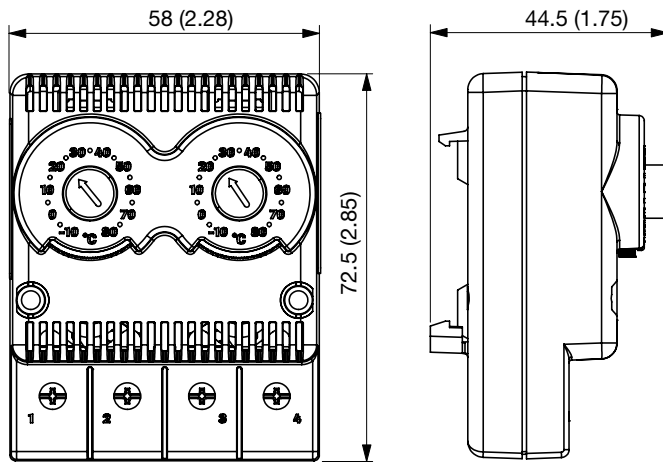
> CONTACT US

CONTROL SYSTEMS

| Technical data | | |
|-------------------------------------|----------|------|
| Wires Section | 18-14 | AWG |
| Fixing System | DIN rail | |
| ENVIRONMENTAL AND THERMAL DATA | | |
| IP Protection Degree | IP20 | |
| Operating Temperature | -10÷80 | °C |
| | 14÷176 | °F |
| Storage Temperature | -40÷90 | °C |
| | -40÷194 | °F |
| Max Humidity | 95 | % RH |
| UL DATA | | |
| UL File Number Recognized Component | E247491 | |
| UL Ambient Temperature | 50 | °C |
| | 122 | °F |

Image is for illustrative purpose only. All specifications, data and drawing are subject to change without notice. Please refer to our terms of sales including our warranty and limited liabilities clauses.

Technical drawing mm (in)



Wiring Diagram

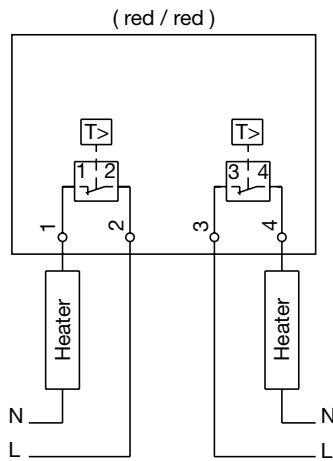


Image is for illustrative purpose only. All specifications, data and drawing are subject to change without notice. Please refer to our terms of sales including our warranty and limited liabilities clauses.