

TRT-10A230V-NOF

mechanical °F

> CONTACT US



Fandis thermostats provide a reliable solution for accurate temperature control in protecting sensitive electronic components. Available with normally closed, normally open or change-over contacts, these mechanical regulators are used with ventilation or heating products to keep the desired thermal conditions inside the enclosure.

Technical data		
<b>APPROVALS</b>		
Approvals	CE; cURus; UKCA	
<b>ELECTRICAL DATA</b>		
Rated Voltage	60	V d.c.
Rated Voltage	110-250	V a.c.
Rated Current	10	A
Operating Voltage	12-60	V d.c.
Appliance Class	II	
Max Contact Current	15	A
<b>GENERIC DATA</b>		
Accuracy	± 3	K
Casing Material	PA66 UL94 V-0	
RAL Number	7035	
Sensor Type	Bi-Metal	
Setting Range	14÷176	°F
Setting Resolution	9	°F
Electrical Connection	Terminal Block	
Life Expectancy	100000	Cycles
Rated Hysteresis	7	K
Wires Section	0.75-2.5	mm <sup>2</sup>
Wires Section	18-14	AWG
Fixing System	DIN rail	

Image is for illustrative purpose only. All specifications, data and drawing are subject to change without notice. Please refer to our terms of sales including our warranty and limited liabilities clauses.

TRT-10A230V-NOF

mechanical °F

> CONTACT US

CONTROL SYSTEMS

Technical data		
ENVIRONMENTAL AND THERMAL DATA		
IP Protection Degree	IP20	
Operating Temperature	-10÷80	°C
	14÷176	°F
Storage Temperature	-40÷90	°C
	-40÷194	°F
Max Humidity	90	% RH
UL DATA		
UL File Number Recognized Component	E247491	
UL Ambient Temperature	50	°C
	122	°F

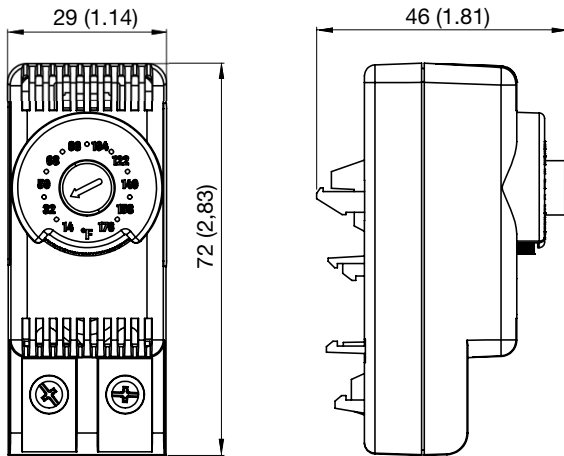
Image is for illustrative purpose only. All specifications, data and drawing are subject to change without notice. Please refer to our terms of sales including our warranty and limited liabilities clauses.

TRT-10A230V-NOF

mechanical °F

> CONTACT US

Technical drawing mm (in)



Wiring Diagram

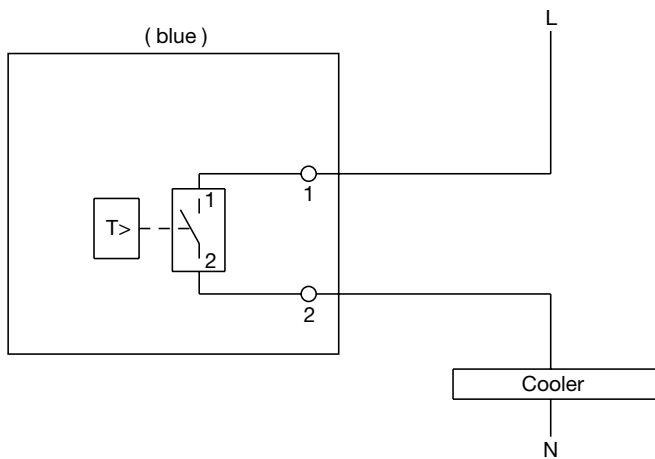


Image is for illustrative purpose only. All specifications, data and drawing are subject to change without notice. Please refer to our terms of sales including our warranty and limited liabilities clauses.