

Thermoelectric modules are semiconductor-based electronic components that work as a small heat pump. They are the core system of thermoelectric units and provide both cooling and heating from the same element, by reversing the polarity. Fandis modules do not use dangerous fluids and are not sensitive to vibrations.

Technical data		
APPROVALS		
Approvals	CE	
PERFORMANCE		
Max Temperature Differential	66	°C
	151	°F
ELECTRICAL DATA		
Max Voltage	15.2	V d.c.
Max Current	5.0	A
Load Output Resistance	1.56	Ohm
MECHANICAL DATA		
Flatness	0.02	mm
	0.00	in
Parallelism	0.02	mm
	0.00	in
Thickness	2.9	mm
	0.11	in
GENERIC DATA		
Electrical Connection	Wires	
Cable Length	650	mm
	25.59	in

Image is for illustrative purpose only. All specifications, data and drawing are subject to change without notice. Please refer to our terms of sales including our warranty and limited liabilities clauses.

TM1-1273050-HXHP

thermoelectric modules

> CONTATTACI

CLIMATE CONTROL SYSTEMS

Technical data		
ENVIRONMENTAL AND THERMAL DATA		
Operating Temperature	-50÷125	°C
	-58÷257	°F
Hot Side Temperature	125	°C
	257	°F

Image is for illustrative purpose only. All specifications, data and drawing are subject to change without notice. Please refer to our terms of sales including our warranty and limited liabilities clauses.

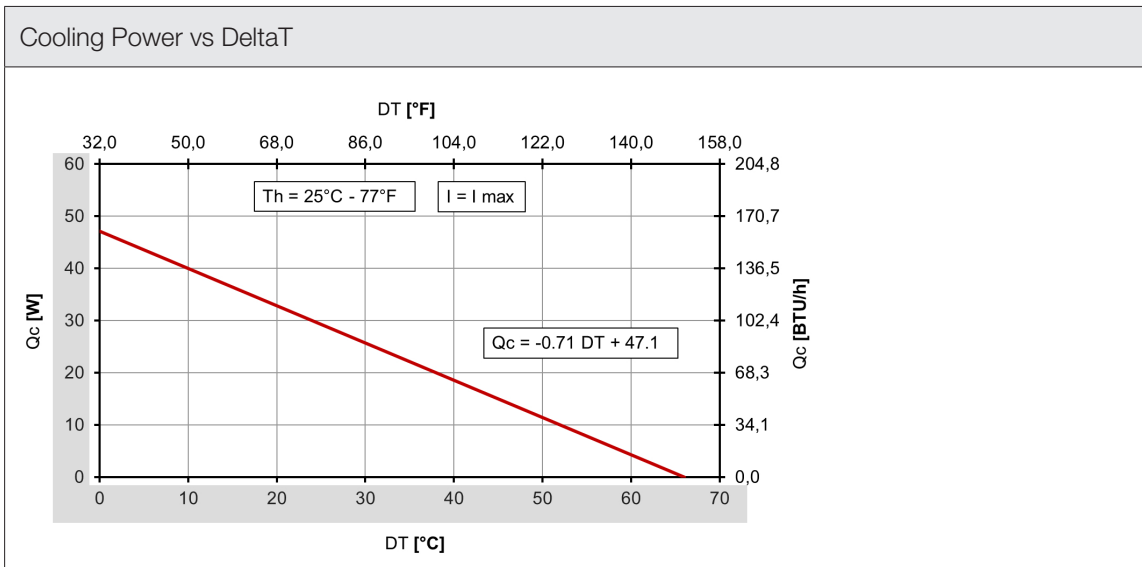
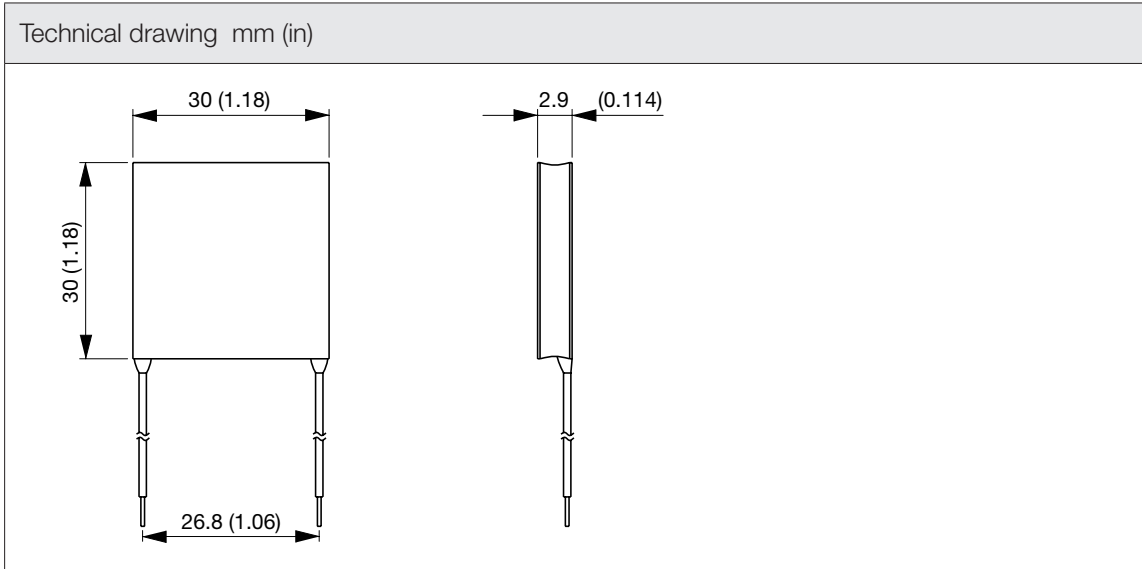
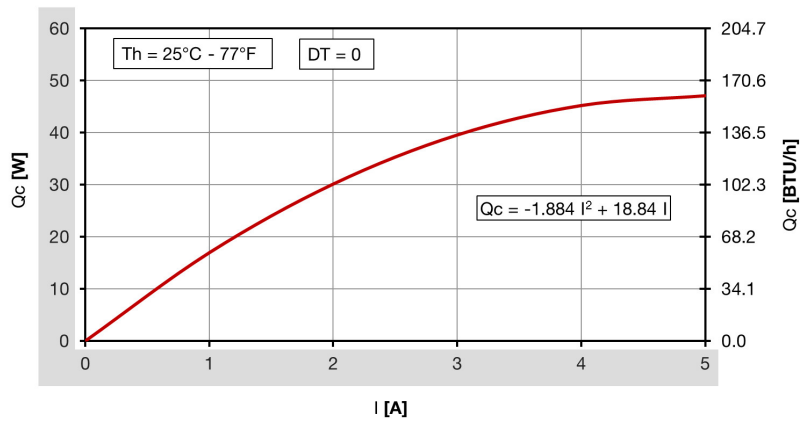


Image is for illustrative purpose only. All specifications, data and drawing are subject to change without notice. Please refer to our terms of sales including our warranty and limited liabilities clauses.

Cooling Power vs Current



Voltage vs Current

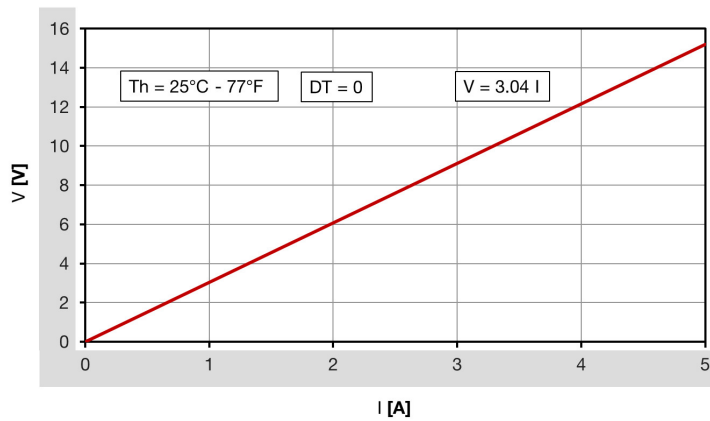


Image is for illustrative purpose only. All specifications, data and drawing are subject to change without notice. Please refer to our terms of sales including our warranty and limited liabilities clauses.