

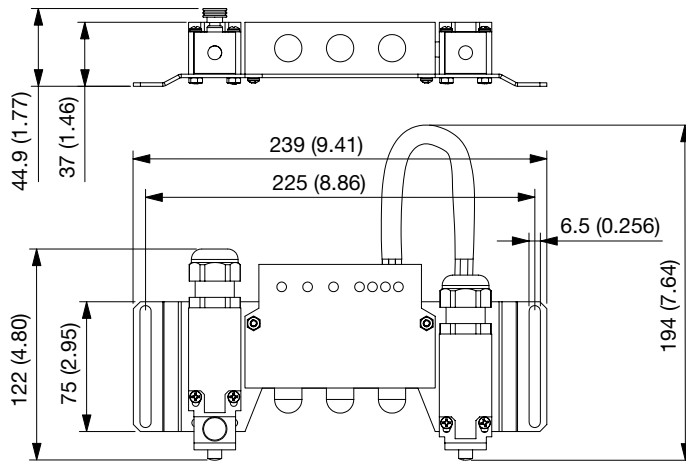


Flashing signal devices monitor the voltage status of electrical panels and carry out inspection and maintenance operations in total safety. They prevent accidents by warning the operator that the electrical system is active by means of flashing lights. By integrating with auxiliary contacts, such as limit switches or additional interlocks, it is possible to control the electrical voltage inside the cabinet when the door is opened.

Technical data		
APPROVALS		
Approvals	CE; UKCA	
ELECTRICAL DATA		
Operating Voltage	220-500	V a.c. 3 ~
Operating Voltage	110-290	V a.c.
Frequency	50/60	Hz
GENERIC DATA		
Electrical Connection	Terminal Block	
Wires Section	0.5-2.5	mm ²
Wires Section	20-14	AWG
Fixing System	Screws	
ENVIRONMENTAL AND THERMAL DATA		
IP Protection Degree	IP20	
Operating Temperature	-25÷70	°C
	-13÷158	°F
Storage Temperature	-30÷80	°C
	-22÷176	°F

Image is for illustrative purpose only. All specifications, data and drawing are subject to change without notice. Please refer to our terms of sales including our warranty and limited liabilities clauses.

Technical Drawing



Connection Diagram

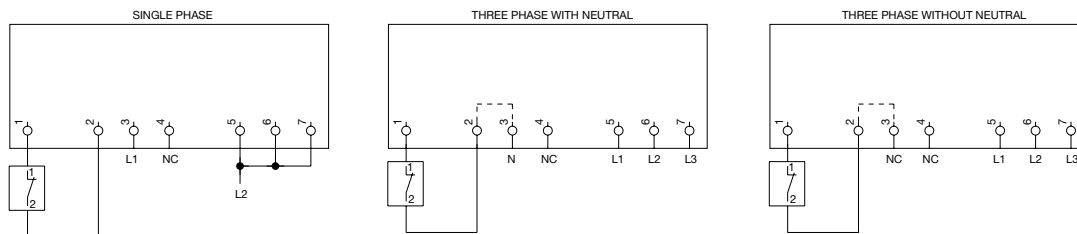


Image is for illustrative purpose only. All specifications, data and drawing are subject to change without notice. Please refer to our terms of sales including our warranty and limited liabilities clauses.