

"SA-FC01" SLIDE LIMIT SWITCH

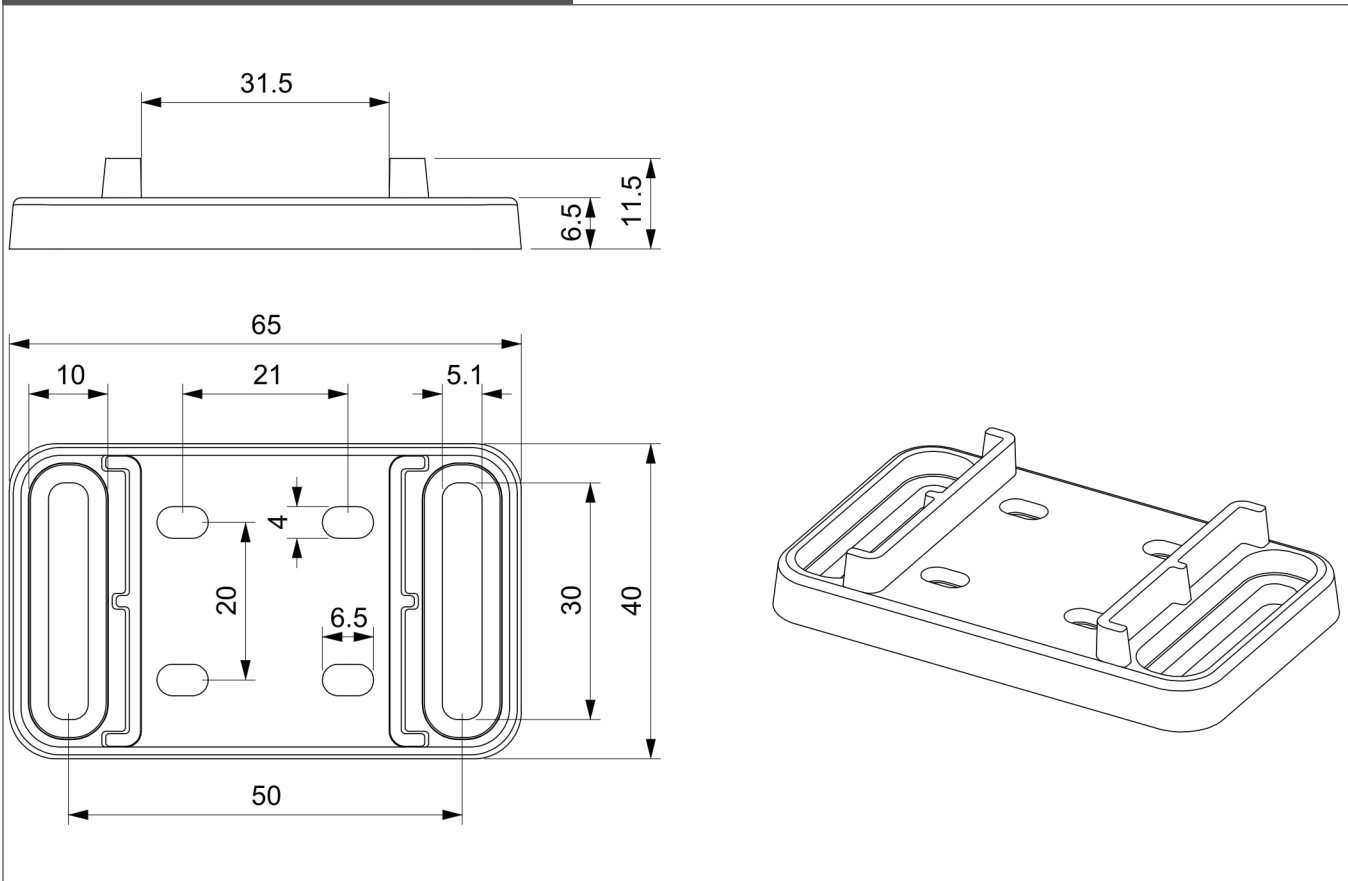
Description: **LIMIT SWITCH**



The kit consist of:

- N.1 slide for limit swich:** in PA6 H-V0
- N.2 screws for fixing to limit swich:** tcb Phil ac 4.8 znb M4x30
- N.2 nuts:** M4

technical drawing



Plastic support for a fast installation and a simple positioning of our FC series door limit switch.