

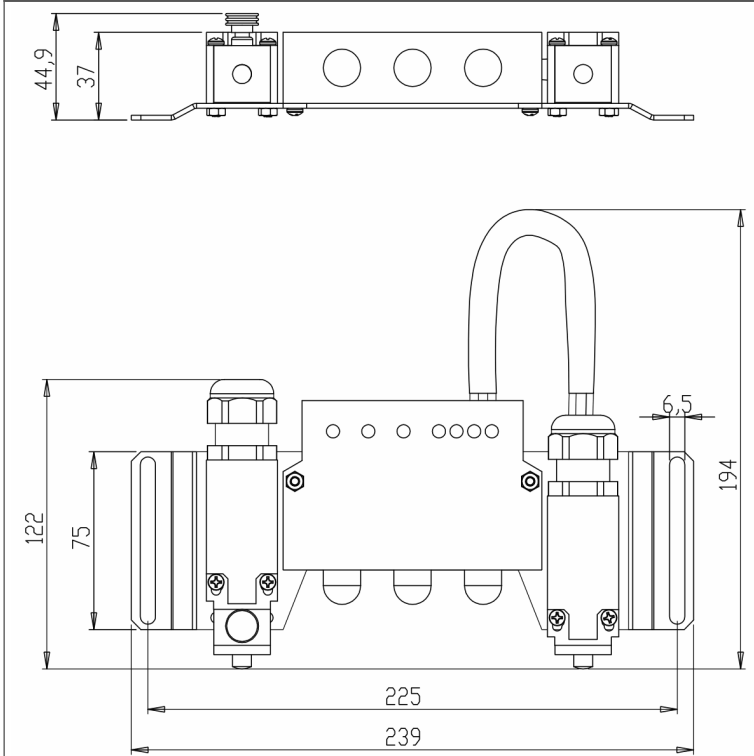
"FD03" FLASHING DEVICE

Description: **FLASHING DEVICE**



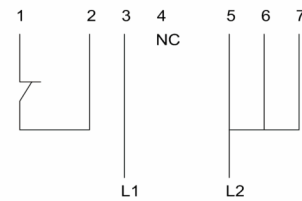
Casing material:	plastic
Protection degree:	IP20, according to IEC 529/ EN 60529
Fixing system:	by bracket
Electrical connection:	by screw terminals
Electrical section wires:	from 0,5mm ² to 2,5mm ²
Rated insulation voltage:	500 V
Storage temperature:	from -30°C to +80°C
Dimensions:	44,9x239x194 mm
Weight:	0,500 Kg
Approvals:	CE
Note:	Kit FD01 + FC-001 + FC-002

Technical drawing

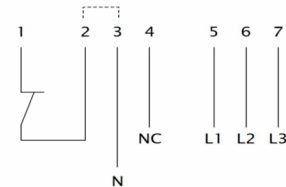


Contact block

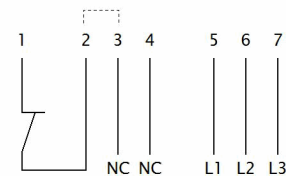
SINGLE PHASE



THREE PHASE WITH NEUTRAL



THREE PHASE WITHOUT NEUTRAL



Model	Rated Voltage Range		Working Temp. Range	Approvals
	Single phase	Three-phase		
	Va.c. 50/60 Hz		°C	
FD03	110-290	220-500	-25°C + +70°C	CE;