

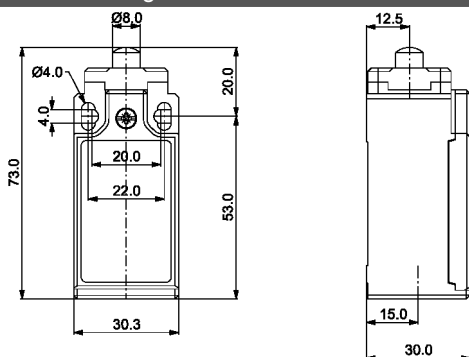
"FC 01" LIMIT SWITCH

Description: **LIMIT SWITCH**

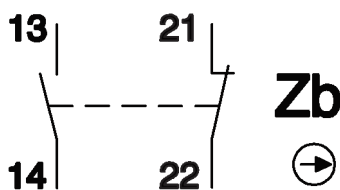


Casing material: plastic
Protection degree: IP65, according to IEC 529/ EN 60529
Electrical connection: one cable inlet for PG13.5 cable gland
Operating temperature: -25°C to +70°C
Storage temperature: -30°C to +80°C
Applicable standards: IEC 947-5-1
 EN 60947-5-1
Appliance class: II
Mounting positions: all position are authorised
Fixing method: by No 2 M4 screws
Operation head: plain plunger
Contact: 1NO+1NC Snap action
Approvals: CE, cULus

technical drawing



contact block



| Model | Rated Voltage Range | Rated Current Range | Rated Voltage Range | Rated Current Range | Mechanical durability |
|--------|---------------------|---------------------|---------------------|---------------------|------------------------|
| | Va.c. 50/60 Hz | A (a.c.) | Vd.c. | A (d.c.) | Millions of operations |
| FC-001 | 24 - 400 | 10 - 4 | 24 - 250 | 6 - 0.4 | 15 |

All specifications, data and drawing are subject to change without notice and are approximate. Please refer to our terms of sales including our warranty and limited liabilities clauses.