

FC-003

mechanical

> CONTACT US



The limit switches ensure safety during maintenance work inside the electrical panels. They are applied on the frame of the cabinet and can turn on the lights, turn off a fan or a heater or cut off the power supply in general when the door is opened or closed.

Technical data		
APPROVALS		
Approvals	CE; cULus; UKCA	
ELECTRICAL DATA		
Rated Voltage	24-250	V d.c.
Rated Voltage	24-400	V a.c.
Rated Current	10-4	A (a.c.)
Rated Current	6-0.4	A (d.c.)
Operating Voltage	24-400	V a.c.
GENERIC DATA		
Electrical Connection	Terminal Block	
Life Expectancy	15	Million cycles
Fixing System	Screws	
ENVIRONMENTAL AND THERMAL DATA		
Operating Temperature	-25÷70	°C
	-13÷158	°F
Storage Temperature	-30÷80	°C
	-22÷176	°F
UL DATA		
UL File Number Listed	E347141	

Image is for illustrative purpose only. All specifications, data and drawing are subject to change without notice. Please refer to our terms of sales including our warranty and limited liabilities clauses.

FC-003

mechanical

> CONTACT US

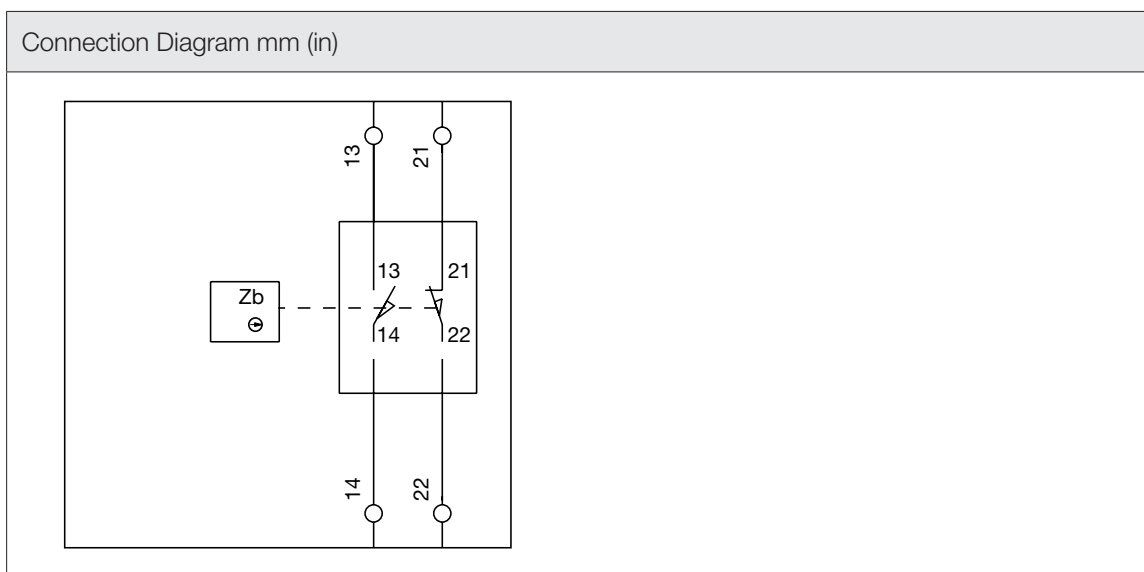
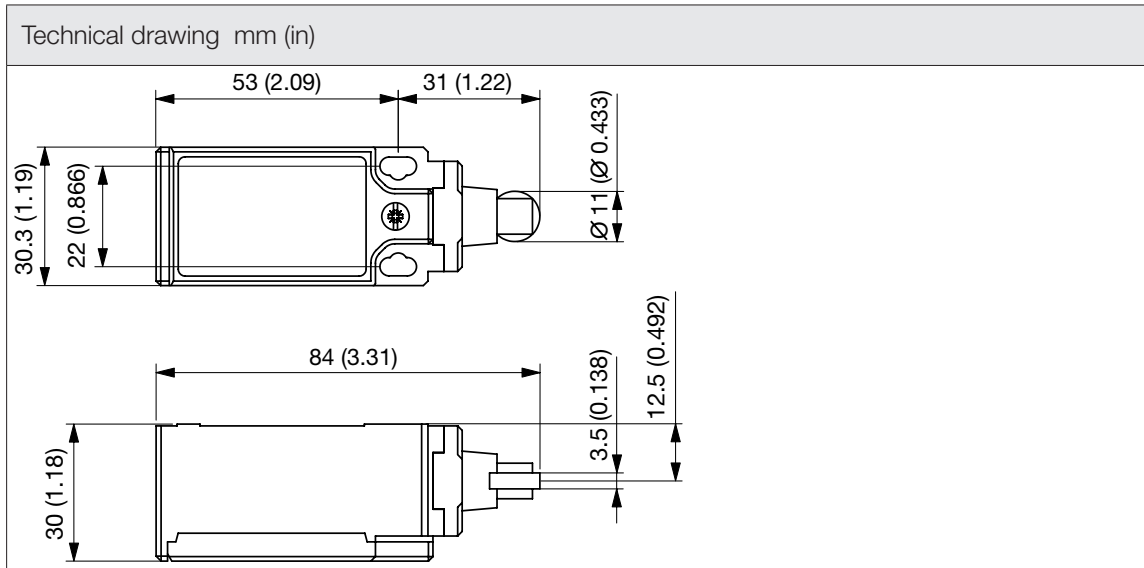


Image is for illustrative purpose only. All specifications, data and drawing are subject to change without notice. Please refer to our terms of sales including our warranty and limited liabilities clauses.