



Thanks to a good color rendering, the FLL series LED lamps represent an efficient solution for enclosure lighting. Available in AC, DC or multi voltage versions and with ON/OFF switch or PIR sensor. FLL series offers the advantages of a swiveling system to direct light beam, optional magnetic fastening and a quick connection by screwless wiring system.

Technical data		
APPROVALS		
Approvals	CE; cURus; UKCA	
ELECTRICAL DATA		
Rated Voltage	230	V a.c.
Rated Power	5	W
Operating Voltage	173-265	V a.c.
Frequency	50/60	Hz
Appliance Class	II	
GENERIC DATA		
Lamp Type	LED	
Casing Material	PC UL94 V-0	
RAL Number	7035	
Electrical Connection	Connector	
Life Expectancy	160000	h at 25 °C
	160000	h at 77 °F
Light Cover	Polycarbonate	
Fixing System	Screws	
Switch	Manual ON/OFF	
PHOTOMETRIC DATA		
Color Temperature	7100	K
Light Beam Angle	120	°
Luminous Flux	315	lm

Image is for illustrative purpose only. All specifications, data and drawing are subject to change without notice. Please refer to our terms of sales including our warranty and limited liabilities clauses.

FLL-230565U-SV

AC lamps

> CONTACT US

Technical data		
ENVIRONMENTAL AND THERMAL DATA		
IP Protection Degree	IP20	
Operating Temperature	-30÷60	°C
	-22÷140	°F
Storage Temperature	-40÷85	°C
	-40÷185	°F
UL DATA		
UL File Number Recognized Component	E237844	
UL Environmental Type Rating	Open Type	
UL Surrounding Temperature	60	°C
	140	°F

Image is for illustrative purpose only. All specifications, data and drawing are subject to change without notice. Please refer to our terms of sales including our warranty and limited liabilities clauses.

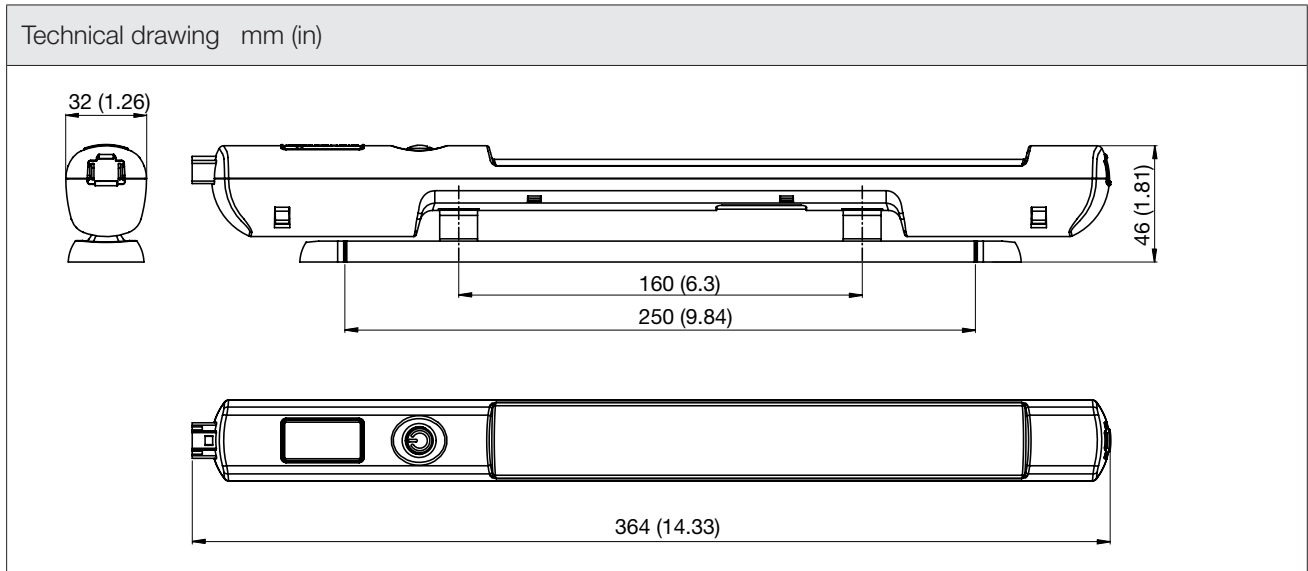


Image is for illustrative purpose only. All specifications, data and drawing are subject to change without notice. Please refer to our terms of sales including our warranty and limited liabilities clauses.