



Fandis mechanical hygrostat switches on electrical enclosure heating or cooling units when a preset relative humidity (RH) is exceeded. The relative humidity is kept above the dew point and the condensation of water on electrical components and the corrosion of unprotected sheet metal is prevented.

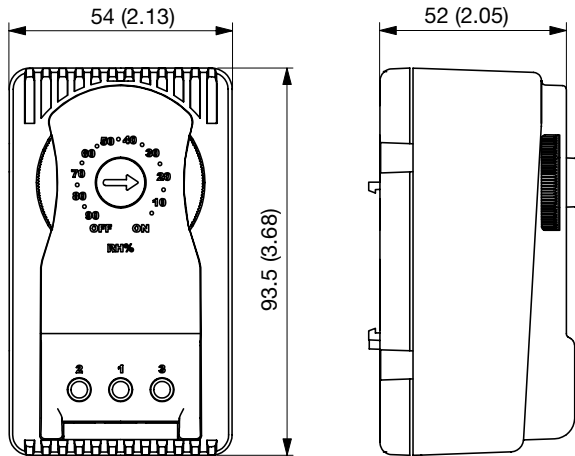
Technical data		
APPROVALS		
Approvals	CE; cURus; UKCA	
ELECTRICAL DATA		
Rated Voltage	120-240	V a.c.
Rated Current	10-5	A
Appliance Class	II	
GENERIC DATA		
Accuracy	± 5	% RH
Casing Material	PC/ABS UL94 V-0	
RAL Number	7035	
Sensor Type	Polyamide Ribbon	
Setting Range	10-90	% RH
Setting Resolution	5	% RH
Electrical Connection	Terminal Block	
Life Expectancy	30000	Cycles
Rated Hysteresis	5	% RH
Wires Section	1-4	mm ²
Wires Section	18-12	AWG
Fixing System	DIN rail	
ENVIRONMENTAL AND THERMAL DATA		
IP Protection Degree	IP20	

Image is for illustrative purpose only. All specifications, data and drawing are subject to change without notice. Please refer to our terms of sales including our warranty and limited liabilities clauses.

Technical data		
Operating Temperature	10÷40	°C
	50÷104	°F
Storage Temperature	-20÷50	°C
	-4÷122	°F
UL DATA		
UL File Number Recognized Component	E247491	

Image is for illustrative purpose only. All specifications, data and drawing are subject to change without notice. Please refer to our terms of sales including our warranty and limited liabilities clauses.

Technical drawing mm (in)



Wiring Diagram

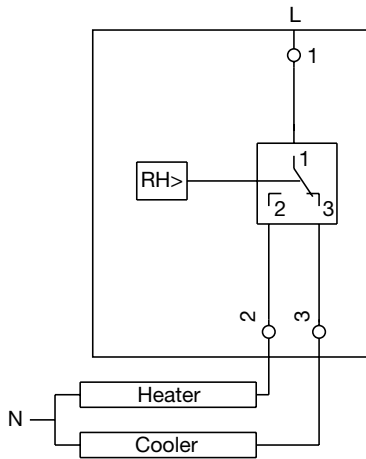


Image is for illustrative purpose only. All specifications, data and drawing are subject to change without notice. Please refer to our terms of sales including our warranty and limited liabilities clauses.