

GF12KUD24B

standard with fan

> CONTACT US



GF series exhaust filter and filter fans represents a side-mounted cooling solution with filtered ambient air to maintain optimum ventilation inside the electrical cabinets. Characterized by a mounting system with jacks for thick wall application (up to 8mm extensible up to 16mm by cutting the jacks) in both plate and plastic enclosures, and a hinged opening for a filter media replacement in seconds.

Technical data		
APPROVALS		
Approvals	CE; UKCA	
PERFORMANCE		
Max Airflow	46	m ³ /h
	27	CFM
Airflow with Exhaust Filter	33	m ³ /h
	19	CFM
Max Static Pressure	54	Pa
	0.22	in H2O
ELECTRICAL DATA		
Rated Voltage	24	V d.c.
Rated Current	0.3	A
Rated Power	7	W
Operating Voltage	10-26.7	V d.c.
Motor Protection	Electronically Protected	
MECHANICAL DATA		
Mounting Wall Thickness	1-8	mm
	0.04-0.31	in
GENERIC DATA		
RAL Number	7035	
Life Expectancy	50000	h at 25 °C
	50000	h at 77 °F

Image is for illustrative purpose only. All specifications, data and drawing are subject to change without notice. Please refer to our terms of sales including our warranty and limited liabilities clauses.

GF12KUD24B

standard with fan

> CONTACT US

Technical data		
Airflow Direction	Direct	
Electrical Connection	Wires	
Wires Section	24	AWG
Fan Noise	42.5	dB(A)
Filter Class	G3	EN 779
Filter Class	ISO coarse 55%	ISO 16890
Filter Material	thermo-linked progressive structure synthetic fibre	
Cable Length	300	mm
	11.81	in
ENVIRONMENTAL AND THERMAL DATA		
IP Protection Degree	IP54	
Operating Temperature	-10÷50	°C
	14÷122	°F
Storage Temperature	-45÷70	°C
	-49÷158	°F

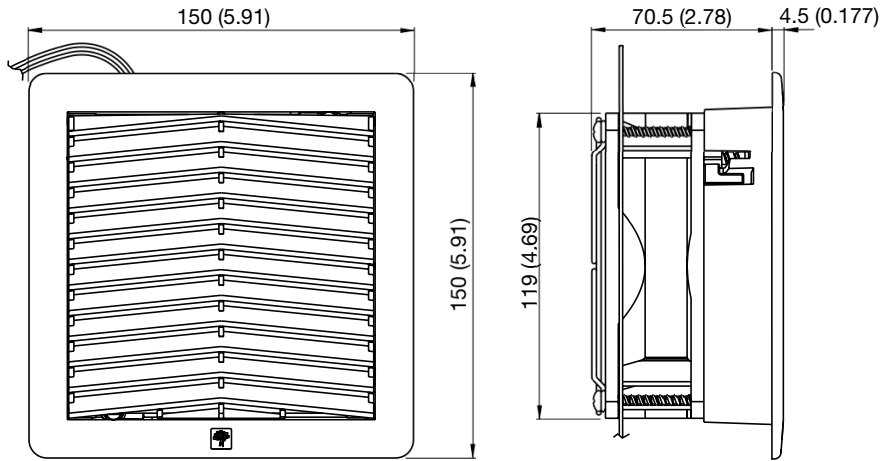
Image is for illustrative purpose only. All specifications, data and drawing are subject to change without notice. Please refer to our terms of sales including our warranty and limited liabilities clauses.

GF12KUD24B

standard with fan

> CONTACT US

Technical drawing mm (in)



Mounting cut-out mm (in)

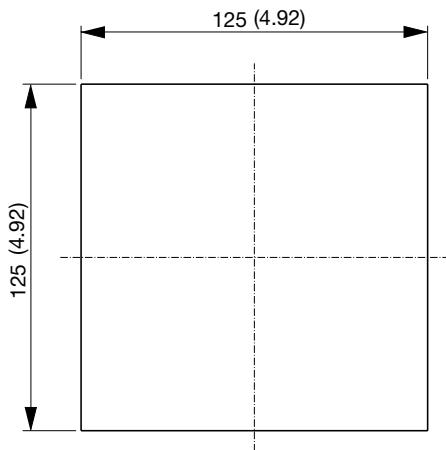


Image is for illustrative purpose only. All specifications, data and drawing are subject to change without notice. Please refer to our terms of sales including our warranty and limited liabilities clauses.

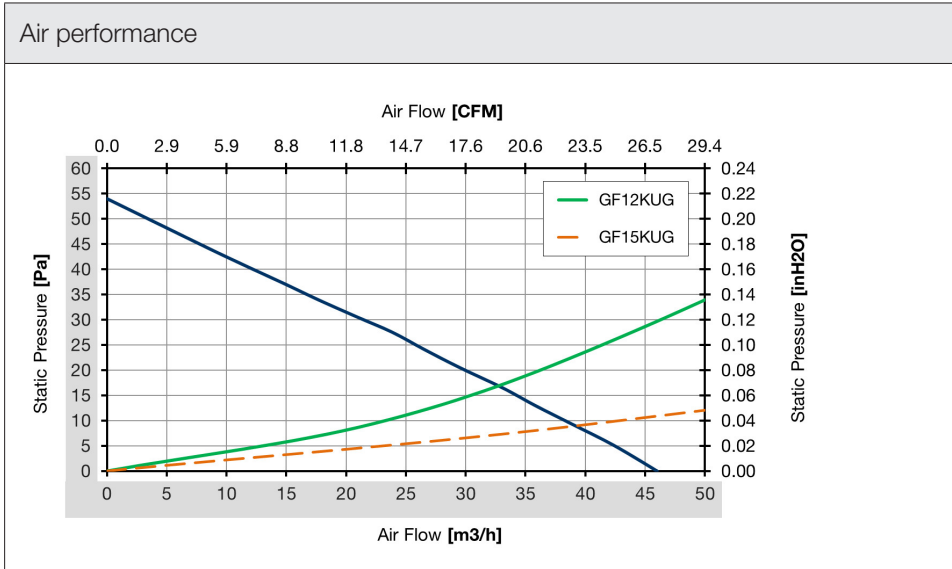


Image is for illustrative purpose only. All specifications, data and drawing are subject to change without notice. Please refer to our terms of sales including our warranty and limited liabilities clauses.