

FF15PA230NF53

Type 3R version with fan

> CONTACT US



FF series exhaust filter and filter fans represents a side-mounted cooling solution with filtered ambient air to maintain optimum ventilation inside the electrical cabinets. Screwless connection, fast tool-free mounting system with clip and maintenance friendliness are the main benefits. Available in a wide range of configurations for both indoor and outdoor use.

| Technical data | | |
|-----------------------------|------------------------|--------|
| APPROVALS | | |
| Approvals | CE; cURus; cULus; UKCA | |
| PERFORMANCE | | |
| Max Airflow | 96/110 | m³/h |
| | 57/65 | CFM |
| Airflow with Exhaust Filter | 68/82 | m³/h |
| | 40/48 | CFM |
| Max Static Pressure | 49/52 | Pa |
| | 0.20/0.21 | in H2O |
| ELECTRICAL DATA | | |
| Rated Voltage | 230 | V a.c. |
| Rated Current | 0.11/0.1 | A |
| Rated Power | 18/17 | W |
| Operating Voltage | 216-244 | V a.c. |
| Frequency | 50/60 | Hz |
| Appliance Class | I | |
| Motor Protection | Impedance Protected | |
| MECHANICAL DATA | | |
| Mounting Wall Thickness | 1.3-3.7 | mm |
| | 0.05-0.15 | in |
| Bearing | Ball Bearing | |

Image is for illustrative purpose only. All specifications, data and drawing are subject to change without notice. Please refer to our terms of sales including our warranty and limited liabilities clauses.

FF15PA230NF53

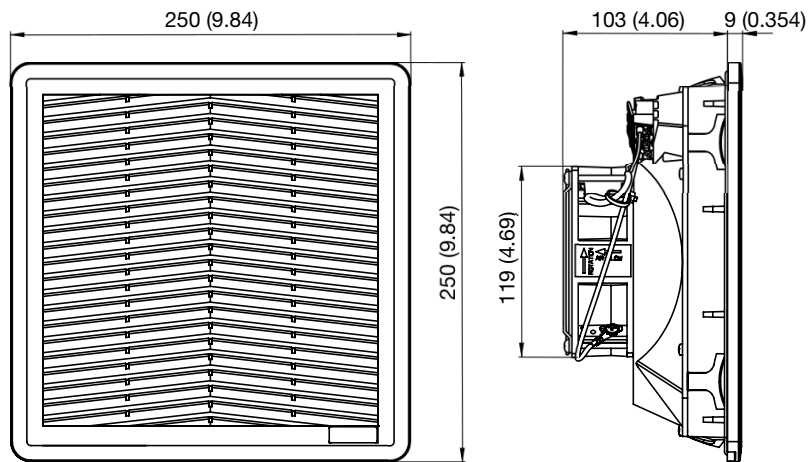
Type 3R version with fan

> CONTACT US

| Technical data | | |
|-------------------------------------|---|-----------------|
| GENERIC DATA | | |
| Spare Parts Filter Media | M15FFP | |
| Casing Material | PBT UL94 5VB | |
| RAL Number | 9005 | |
| Life Expectancy | 57000 | h at 25 °C |
| | 57000 | h at 77 °F |
| Airflow Direction | Direct | |
| Electrical Connection | Screwless Terminal Block | |
| Wires Section | 0.75-2.5 | mm ² |
| Wires Section | 20-14 | AWG |
| Fan Noise | 46/49 | dB(A) |
| Filter Class | G4 | EN 779 |
| Filter Class | ISO coarse 75% | ISO 16890 |
| Filter Material | thermo-linked progressive structure synthetic fibre | |
| ENVIRONMENTAL AND THERMAL DATA | | |
| IP Protection Degree | IP55 | |
| Operating Temperature | -10÷55 | °C |
| | 14÷131 | °F |
| Storage Temperature | -40÷70 | °C |
| | -40÷158 | °F |
| UL DATA | | |
| UL File Number Recognized Component | E237844 | |
| UL File Number Listed | E500932 | |
| UL Environmental Type Rating | Type 3R | |
| UL Surrounding Temperature | 55 | °C |
| | 131 | °F |

Image is for illustrative purpose only. All specifications, data and drawing are subject to change without notice. Please refer to our terms of sales including our warranty and limited liabilities clauses.

Technical drawing mm (in)



Mounting cut-out mm (in)

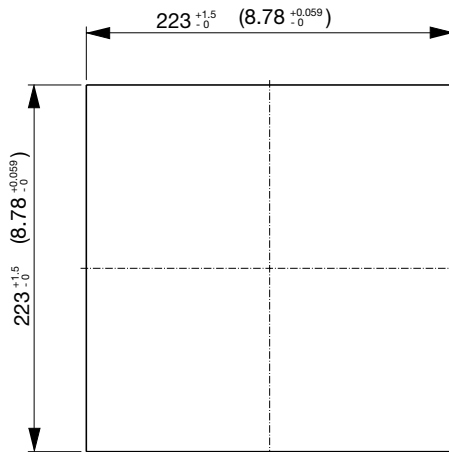


Image is for illustrative purpose only. All specifications, data and drawing are subject to change without notice. Please refer to our terms of sales including our warranty and limited liabilities clauses.

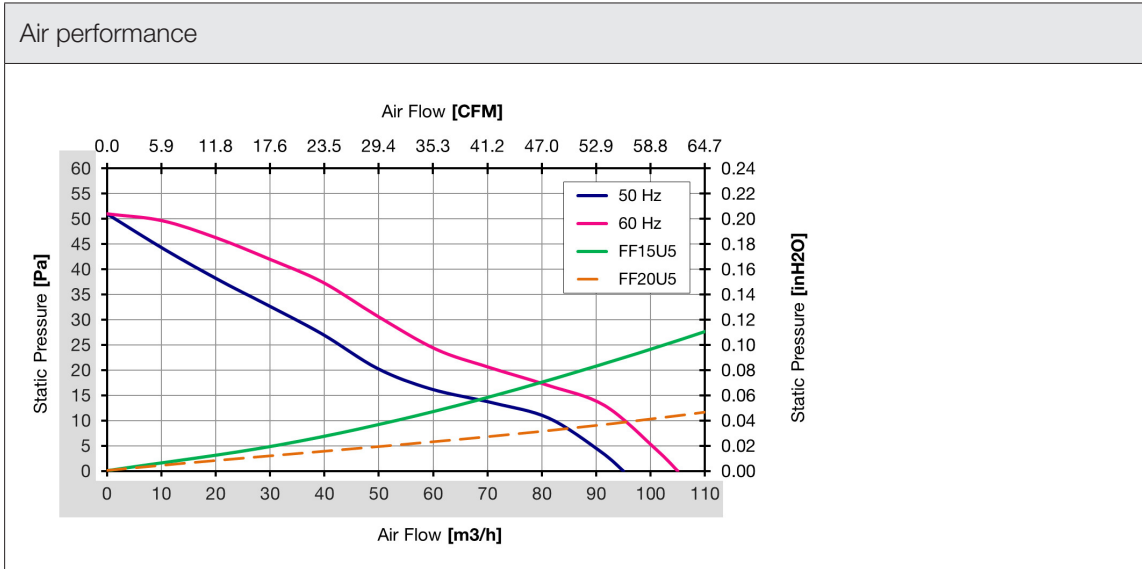


Image is for illustrative purpose only. All specifications, data and drawing are subject to change without notice. Please refer to our terms of sales including our warranty and limited liabilities clauses.